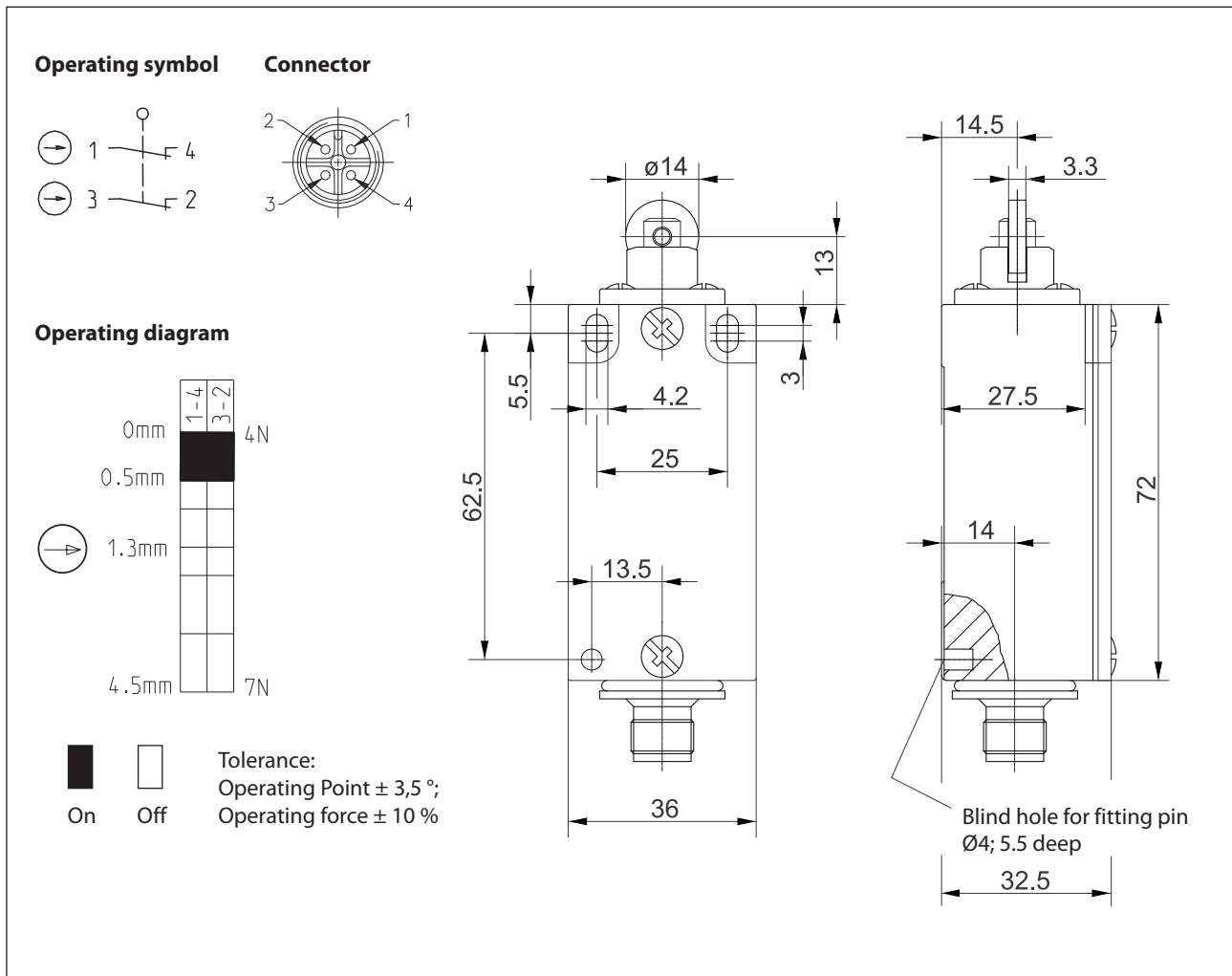


Metal bodied limit switch Series GC

Description **GC-A2Z RIW M12**

Article number **6121817956**



Electrical Data

Rated operational voltage	U_e	24 V
Utilization category		AC-15, U_e/I_e 24 V / 1,5 A
Direct opening action	\ominus	acc. to IEC/EN 60947-5-1, annex K
Short-circuit protective device		Fuse 2 A gG
Protection class		III (safety extra-low voltage)

Mechanical data	
Enclosure	Die-cast aluminium
Cover	Sheet aluminium
Actuator	Roller (steel)
Ambient air temperature	-30 °C ... +80 °C
Contact type	2 NC (B)
Mechanical life	3 x 10 ⁶ operating cycles
Switching frequency	≤ 100 / min.
Assembly	2 x M4
Connection	Connector M12x1; A coded
Weight	≈ 0,16 kg
Installation position	operator definable
Protection type	IP65 acc. to IEC/EN 60529

Actuation
By loosening the 4 screws the actuation assembly can be rotated in 90 degree increments such that 4 actuation directions are possible. The actuation assembly is to be again fastened to the housing using the 4 screws.

Standards
VDE 0660 T100, DIN EN 60947-1, IEC 60947-1
VDE 0660 T200, DIN EN 60947-5-1, IEC 60947-5-1

Notes
<p>The degree of protection specified (IP code) applies only to a properly closed cover and the use of an equivalent connector.</p> <p>The connector and the cable (fix or flexible mounted) must at least be suitable for the described ambient air temperatures.</p> <p>The connector must not be connected or disconnected when voltage is applied.</p> <p>The mechanical life of the connector is 500 connection cycles.</p>